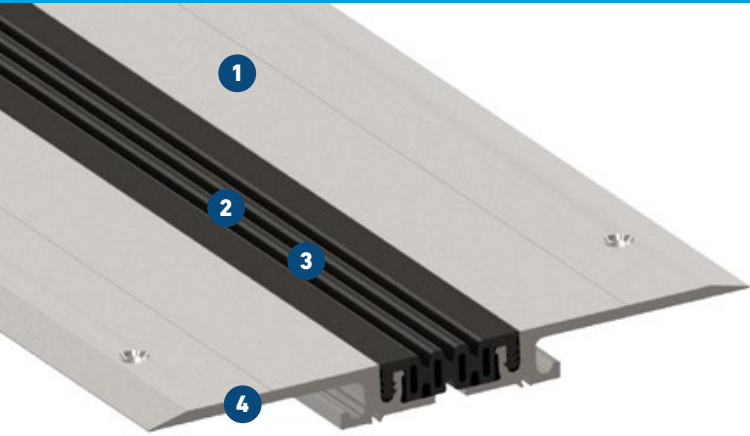


# FN 65 / FN 85

FOR FLOORS – SURFACE FIXING

# MIGUTEC

JOINT COVERS FOR EXPANSION JOINTS



- 1 Anti slip surface ensures good skid resistance**  
Special striated surface, also suitable for sports areas
- 2 Flexible high quality elastomeric insert**  
Hard wearing, temperature resistant (-30°C to +120°C)
- 3 Economical**  
Insert replaceable at any time
- 4 Very flat design**  
Perfect for surface fixing

Expansion joint cover	Total movement	Visible width	Total width	Joint width required	Width of insert	Installation height	Thickness of alu side plates	Load bearing capacity*
	$\Delta b_f$ [mm]							
FN 65	22 ( $\pm 11$ )		224	80	18	4	52	pedestrians
FN 85	30 ( $\pm 15$ )		242	100	18	4	70	pedestrians

\* Light vehicles on request.

**Production length:** 4 m

**Standard colours:** black, grey, beige

**Wall connections:** E3, E4

