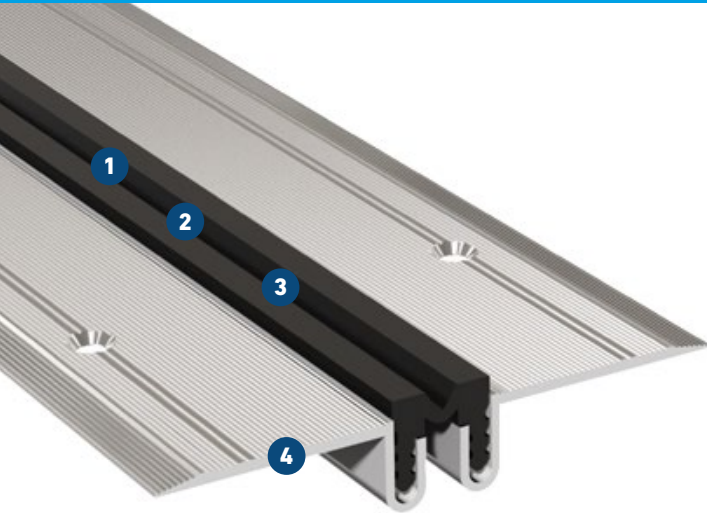


FTN 20


FOR FLOORS WITH CARPET – SURFACE FIXING

MIGUTEC

JOINT COVERS FOR EXPANSION JOINTS



- 1 Perfectly designed insert**
5 mm high upstand in conjunction with carpets
- 2 Flexible high quality elastomeric insert**
Hard wearing, temperature resistant (-30°C to +120°C)
- 3 Economical**
Insert replaceable at any time
- 4 Very flat design**
Perfect for surface fixing

Expansion joint cover	Total movement Δb_f [mm]	Total width b_t [mm]	Joint width required $b_{f \text{ min}}$ [mm]	for coverings thickness [mm]	Width of insert b_s [mm]	Installation height h [mm]	Thickness of alu side plates [mm]	Load bearing capacity* 
FTN 20	5 (+3/-2)	97	20	5	17	12	2	pedestrians

* Light vehicles on request.

Production length: 4 m

Standard colours: black, grey

Wall connections: E3, E4

