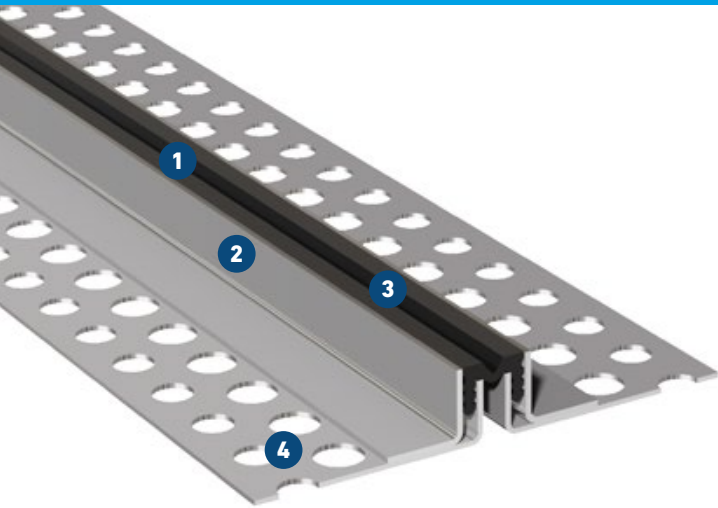


ES 20

FOR FLOORS AND WALLS, RESISTANT TO AGGRESSIVE FLUIDS

MIGUTEC

JOINT COVERS FOR EXPANSION JOINTS



- 1 Flexible high quality elastomeric insert**
Hard wearing, temperature resistant (-30°C to +120°C), replaceable
- 2 Solid stainless steel brackets**
Resistant to aggressive media (e.g. sea water)
- 3 Multi directional movement**
- 4 MultiHole mounting bracket**
for secure fixing

Expansion joint cover	Joint width	Total movement	Visible width	Total width	Joint height	Load bearing capacity*	Load bearing capacity*
	$b_f \text{ max}$ [mm]	Δb_f [mm]	b_s [mm]	b_t [mm]	h [mm]	[kN]	[kN]
ES 20/20	20	5 (+3/-2)	20	126	20	30	30
ES 20/35	20	5 (+3/-2)	20	95	35	30	30
ES 20/40	20	5 (+3/-2)	20	95	40	30	30
ES 20/50	20	5 (+3/-2)	20	95	50	30	30

* no continuous use

All info on load capacities apply to doweled, not to floating installation.

For installation in asphalt, please ask for our technical advice.

Larger installation heights on request.

Material: 1.4301 (alloy 304)

Production length: 3 m (ES 20/20: 2 m)

Standard colours: black, grey

Stainless steel: mill finish

Wall connections: E1, E3, E4

